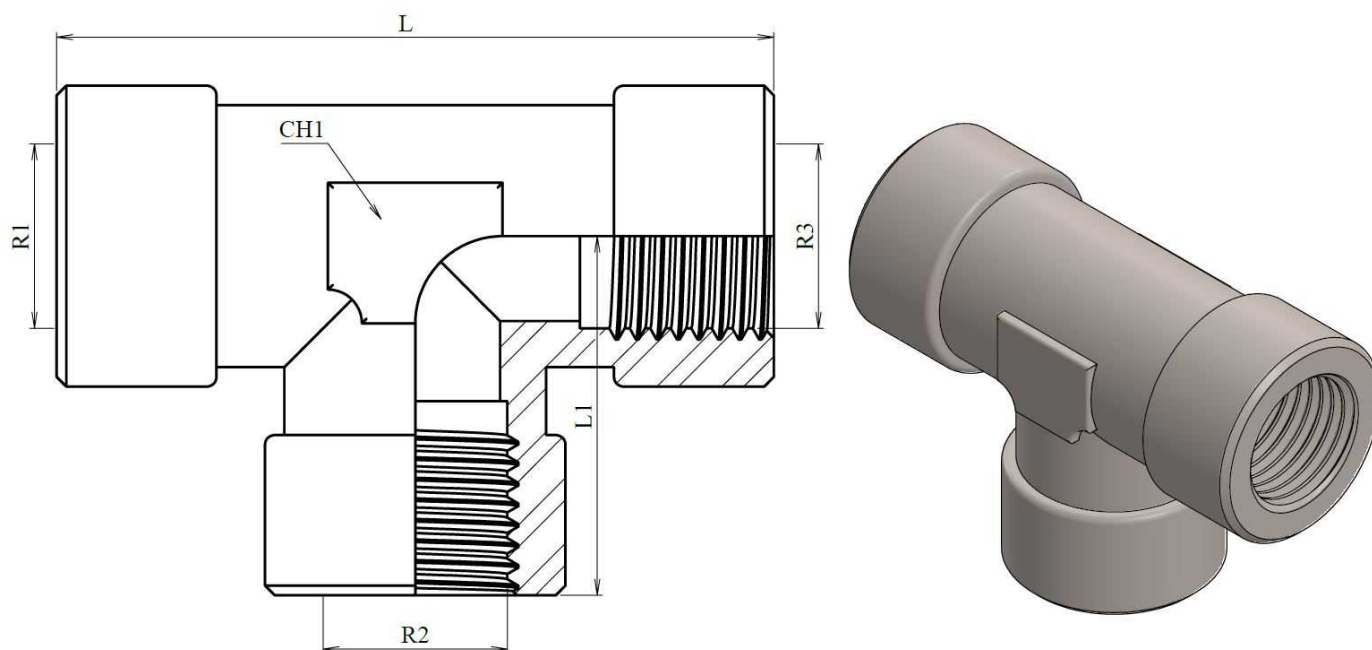


Adaptadores BSP

Te y cruces en forja

## Tes hembras fijas BSP

Acero Inoxidable AISI 316-L



Artículo	R1	R2	R3	L	L1	CH1	ØC
<b>Z122604</b>	1/4" BSP	1/4" BSP	1/4" BSP	57	28,5	20	10
<b>Z122606</b>	3/8" BSP	3/8" BSP	3/8" BSP	70	35	24	12
<b>Z122608</b>	1/2" BSP	1/2" BSP	1/2" BSP	74	37	28	17,5
<b>Z122612</b>	3/4" BSP	3/4" BSP	3/4" BSP	90	45	28	16
<b>Z122616</b>	1" BSP	1" BSP	1" BSP	101,5	50,75	36	25